

i = info - stop 2 sec. ★ = new part

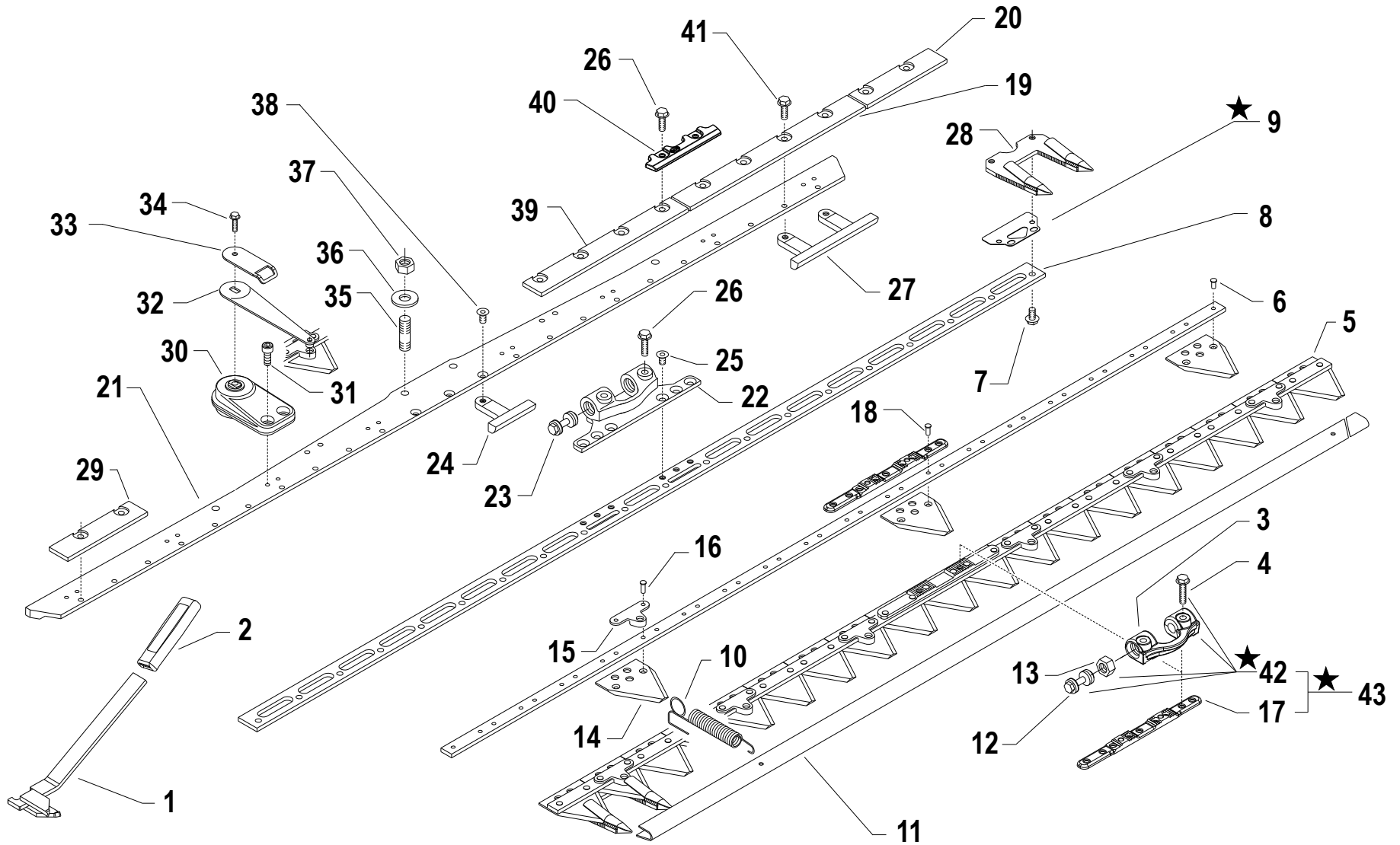
Pos.	Code	Q.ty	Description	Notes
1	59058593		SPRING LIFTER	
2	55102714		KNOB	
3	52158700Z		BLADE COUPLING BF2011 ZINC-COATED	
4	31112165		SCREW TE C/F M8X35 DIN 6921 8G	
5	59058639T		BLADE FOR DUPLEX CM 1.20	
5	59058646T		BLADE FOR DUPLEX CM. 1.50	
5	59058669T		BLADE	
6	33125312		RIVET TC 5,3X12	
7	58058659		SCREW	
8	56358622		STRIPE	
8	56358583		STRIPE	
8	56358603		STRIPE	
9	59958777		KIT	REPLACES 56358775T
9	59958778		KIT	REPLACES 56358775T
9	59958779		KIT	REPLACES 56358775T
10	58027286R		SPRING	
11	56158559R		GUARD	
11	56158626R		GUARD	
11	56158627R		GUARD	
12	58058662		SCREW FOR BLADE CONNECTION	
13	58058661		CONICAL NUT M16X1.5	
14	58028096		BLADE SECTION	
15	52458629		CONNECTION	
16	33125316		RIVET TC 5,3X16	
17	56358701		ZOCCOLO LAMA DP	
18	33125314		RIVET TC 5,3X14	
19	56358579T		BLADE GUIDE	
20	56358628T		BLADE GUIDE	
20	56358605T		BLADE GUIDE	
21	56358729N		BAR	
21	56358730N		BAR	
21	56358731N		BAR	
22	52158581		CONNECTION	
23	58046666		SCREW	

SERIAL

13A "DUPLEX" FRONT CUTTER BAR

CODE REV

A.13A.03.A0001_09



i = info - stop 2 sec. ★ = new part

Pos.	Code	Q.ty	Description	Notes
24	52158580		LOWER GUIDE	
25	58058522		SCREW	
26	31112167		SCREW TE C/F M8X30 DIN 6921 8G	
27	52158589		LOWER GUIDE	
28	59028930T		TOOTH	
29	56358628T		BLADE GUIDE	
29	56358606T		BLADE GUIDE	
30	59258715		SUPPORT	
31	31152077		SCREW TCEI M8X16 UNI 5931	
32	59058764D		SPRING GOLDFINGER	
33	56358776D		LIMITER	
34	31112171		SCREW TE C/F M8X16 DIN 6921	
35	31312141Z		STUD BOLT	
36	31421251		WASHER	
37	31221151		NUT M14X1,5	
38	31132565		SCREW TSVEI M8x16 UNI 5933	
39	56358578T		BLADE GUIDE	
40	56358787Z		DUPLEX BLADE HOLDER GUIDE	
41	31112170		SCREW TE C/F M8X20 DIN 6921	
42	59258753		COMPLETE SET BLADE CONNECTION	
43	59258872		KIT	