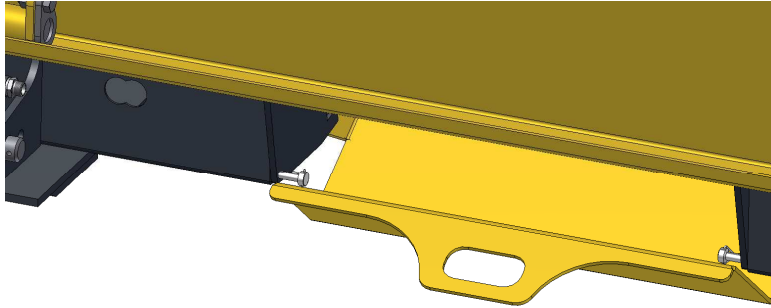
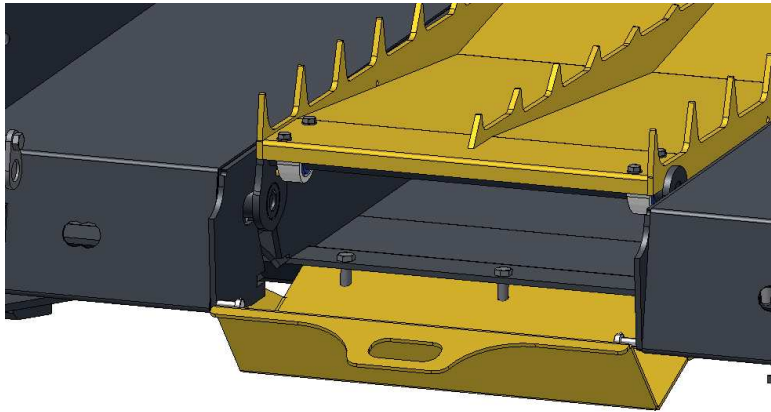


Maintenance of the Straw Blower's bottom

Insert one pin of 6mm in the holes of the box located at each side of the door in order to keep the door opened.



Drive the moving bottom in its highest position



Thanks to a scraper, remove the straw from the bottom **at least every 10 bales.**

