



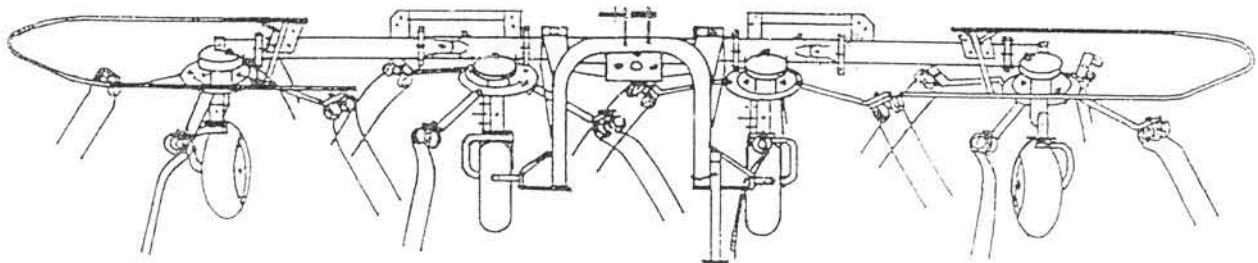
# SIP

*Instruction for work*  
*Betriebsanleitung*  
*List of spare parts*  
*Ersatzteilliste*

# SPIDER 350

kreiselheuer

rotary tedder



Valid from serial number on:  
Gültig ab Maschinnummer:  
SPIDER 350 = 3291



# SIP

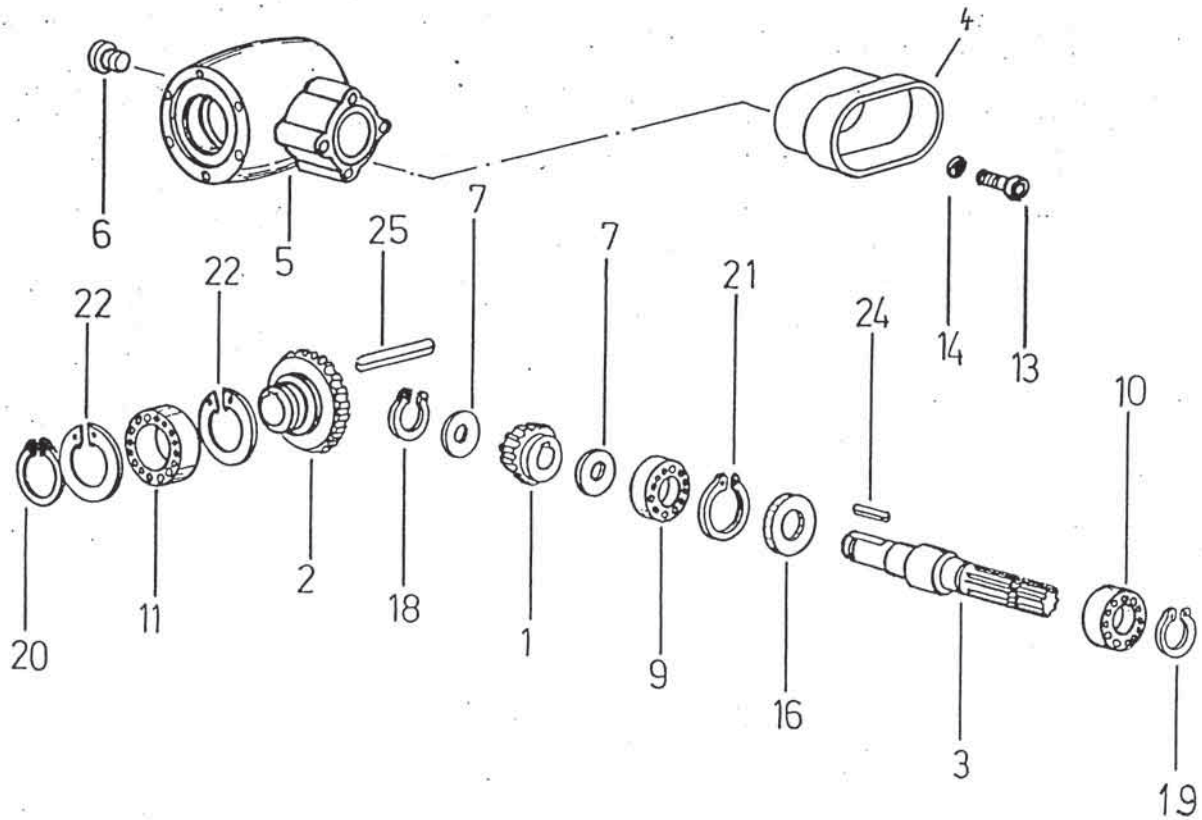
STROJNA INDUSTRIJA d.d.  
3311 Šempeter v Savinjski dolini  
Slovenija

1997  
Tel: +386 (03) 7038 500  
Fax: +386 (03) 7038 663  
~~+386 (03) 7038 674~~

152837005

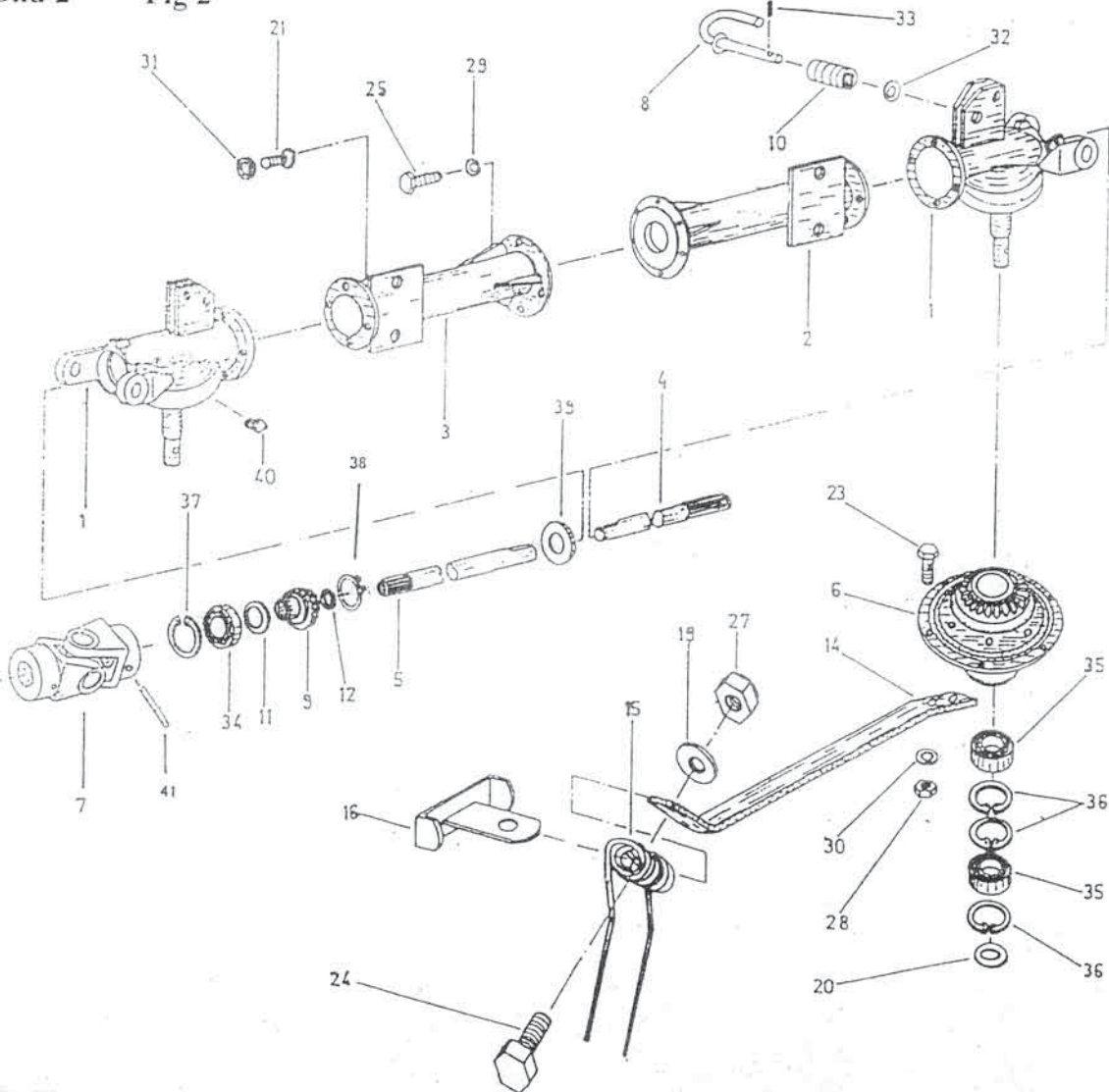
| No.on the figure<br>Numer<br>anzeichn. | Catalogue no.<br>Katalog nummer | Description              | Benennung                      | Quantity<br>Stück |
|--|---------------------------------|--------------------------|--------------------------------|-------------------|
| 1                                      | 151940109-337.01.001.0          | Gear 1                   | Zahnrad 1                      | 1                 |
| 2                                      | 151940207-337.01.002.0          | Gear 2                   | Zahnrad 2                      | 1                 |
| 3                                      | 151940001-337.01.003.0          | Shaft                    | Welle                          | 1                 |
| 4                                      | 152226601-340.00.003.0          | P.T.O. Shaftz protection | Gelenkwellenschutz             | 1                 |
| 5                                      | 151037103-325.01.001.2          | Gear-box housing         | Getriebegehäuse 1              | 1                 |
| 6                                      | 151012601-510.03.041.0          | Locking screw            | Verschlusszapfen               | 1                 |
| 7                                      | 151012905-455.05.013.0          | Distance ring            | Distanzring 3                  | 1                 |
| 9                                      | 150362208                       | Bearing KR 6206          | Rillenkugellager KR 6206       | 1                 |
| 10                                     | 000244202                       | Bearing 6007 ZZ          | Rillenkugellager 6007 ZZ       | 1                 |
| 11                                     | 150008306                       | Bearing 6209             | Rillenkugellager 6209          | 1                 |
| 13                                     | 150163307                       | Screw M10x20 8.8         | Cylinderschraube M10x20 8.8 Zn | 4                 |
| 14                                     | 000228300                       | Washer A10 Zn            | Scheibe A10 Zn                 | 4                 |
| 16                                     | 150008404                       | Seal ring A38x62x10      | Wellendichtring A38x62x10      | 1                 |
| 18                                     | 000237407                       | Circlip 25               | Sicherungsring 25              | 1                 |
| 19                                     | 000237602                       | Circlip 35               | Sicherungsring 35              | 1                 |
| 20                                     | 000237906                       | Circlip 45               | Sicherungsring 45              | 1                 |
| 21                                     | 000236300                       | Circlip 62               | Sicherungsring 45              | 1                 |
| 22                                     | 000236603                       | Circlip 85               | Sicherungsring 85              | 2                 |
| 24                                     | 000256207                       | Cotter A8x7x36           | Passfeder A8x7x36              | 1                 |
| 25                                     | 000256305                       | Cotter A10x8x60          | Passfeder A10x8x60             | 1                 |

Bild 1 Fig 1



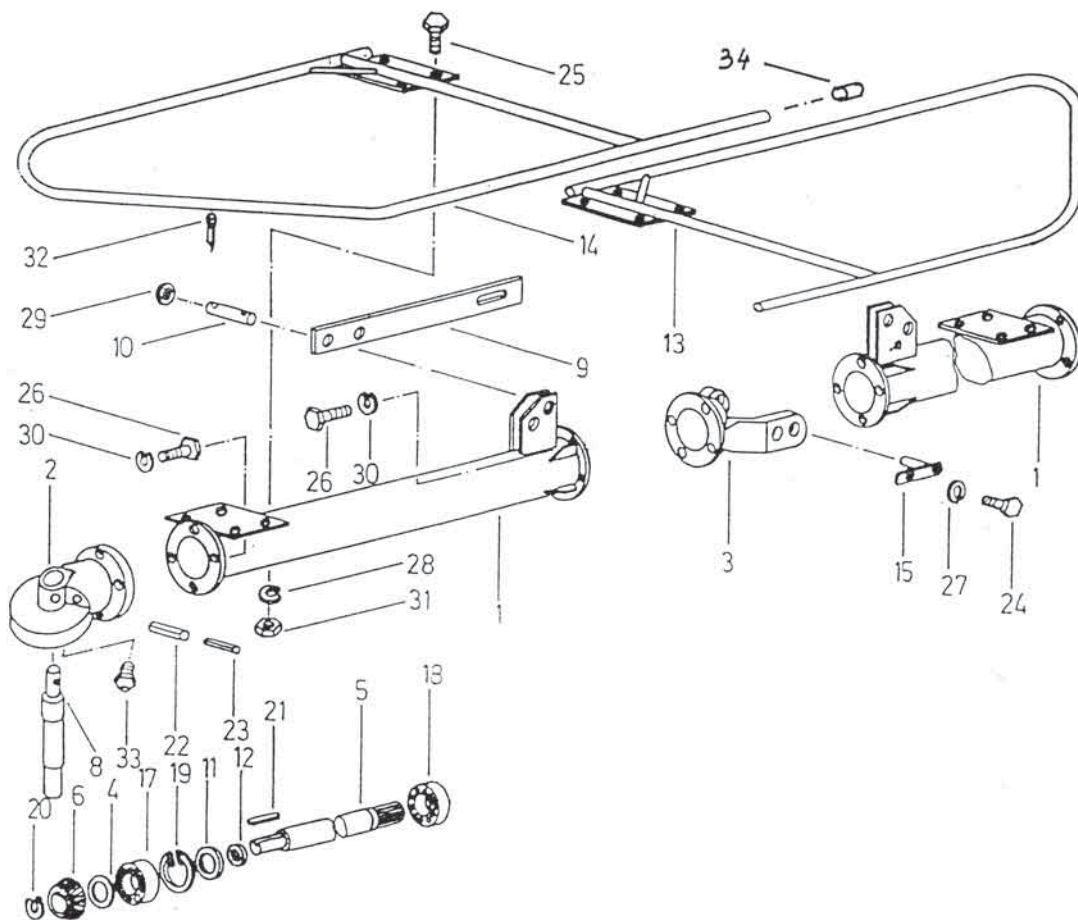
| No. on the figure<br>Numer<br>anzeichn. | Catalogue no.<br>Katalog nummer | Description  | Benennung  | Quantity<br>Stück |
|---|---------------------------------|--|--|-------------------|
| 1                                       | 152900115-337.02.015.1          | Gear-box housing                                   | Getriebegehäuse  | 2                 |
| 2                                       | 151940403-337.02.001.0          | Tube with a flange left                            | Rohr mit Flansche links                                | 1                 |
| 3                                       | 151941509-337.03.001.0          | Tube with a flange right                           | Rohr mit Flansche rechts                               | 1                 |
| 4                                       | 154182404-337.02.020.0          | Shaft left   | Wellw links  | 1                 |
| 5                                       | 154182501-337.03.010.0          | Shaft right  | Welle rechts   | 1                 |
| 6                                       | 151941206-337.02.010.0          | Rotor  | Rotor  | 4                 |
| 7                                       | 152725000-345.01.007.0          | Shaft-joint 125                                    | Gelenkkreuz  | 2                 |
| 8                                       | 151040422-325.02.026.2          | Pin welded   | Hülse schw.  | 2                 |
| 9                                       | 152725304-345.01.010.0          | Gear   | Zahnrad  | 2                 |
| 10                                      | 151040803-325.02.030.0          | Spring   | Druckfeder   | 2                 |
| 11                                      | 151752106-150.08.006.0          | Distance washer                                    | Distanzscheibe kpl.                                    | 2                 |
| 12                                      | 151013708-TN 01                 | Distance ring 30,2/38                              | Distanzring 30,2/38                                    | 1                 |
| 14                                      | 151946123-337.00.004.0          | Holder   | Träger   | 16                |
| 15                                      | 152870600-345.00.010.0          | Spring finger                                      | Federzinke   | 16                |
| 16                                      | 152954501-345.00.018.0          | Safety device                                      | Sicherung  | 24                |
| 19                                      | 150257304                       | Washer 13 Zn                                       | Scheibe 13 Zn  | 24                |
| 20                                      | 151019908-TN 01                 | Washer   | Scheibe  | 24                |
| 21                                      | 000211602                       | Screw M12x25 8.8                                   | SK-Schraube M12x25 8.8                                 | 8                 |
| 23                                      | 000248805                       | Screw M12x35 8.8 Zn                                | SK-Schraube M12x35 8.8 Zn                              | 32                |
| 24                                      | 000203504                       | Screw M12x45 8.8 Zn                                | SK-Schraube M12x45 8.8 Zn                              | 16                |
| 25                                      | 000210202                       | Screw M10x25 8.8 Zn                                | SK-Schraube M10x25 8.8                                 | 12                |
| 27                                      | 000250604                       | Nut M12 5 Cd                                       | SK-Mutter M12 5 Cd                                     | 16                |
| 28                                      | 000221502                       | Nut M12 5 Zn                                       | SK-Mutter 5 Un   | 32                |
| 29                                      | 000228300                       | Washer B10   | Federring B10  | 12                |
| 30                                      | 000228603                       | Washer B12 Zn                                      | Federring B12 Zn                                       | 32                |
| 31                                      | 000228505                       | Washer B12   | Federring B12  | 8                 |
| 32                                      | 000224509                       | Washer A12 Zn                                      | Scheibe A12  | 2                 |
| 33                                      | 150016306                       | Pin 4x24   | Spannhülse 4x24  | 2                 |
| 34                                      | 000244603                       | Bearing 6008 ZZ                                    | Rillenkugellager 6008 ZZ                               | 2                 |
| 35                                      | 000244202                       | Bearing 6007 ZZ                                    | Rillenkugellager 6007 ZZ                               | 8                 |
| 36                                      | 000236300                       | Circlip 62   | Sicherungsring 62                                      | 12                |
| 37                                      | 000236408                       | Circlip 68   | Sicherungsring 68                                      | 2                 |
| 38                                      | 000237504                       | Circlip 30   | Sicherungsring 30                                      | 2                 |
| 39                                      | 150009001                       | Oil seal $\varnothing 30/\varnothing 52 \times 10$ | Distungdring $\varnothing 30/\varnothing 52 \times 10$ | 2                 |
| 40                                      | 000246905                       | Lubricator AM 10x1                                 | Schmiemippel A M10x1                                   | 2                 |
| 41                                      | 000233802                       | Pin 6x55   | Spannhülse 6x55  | 2                 |

Bild 2 Fig 2



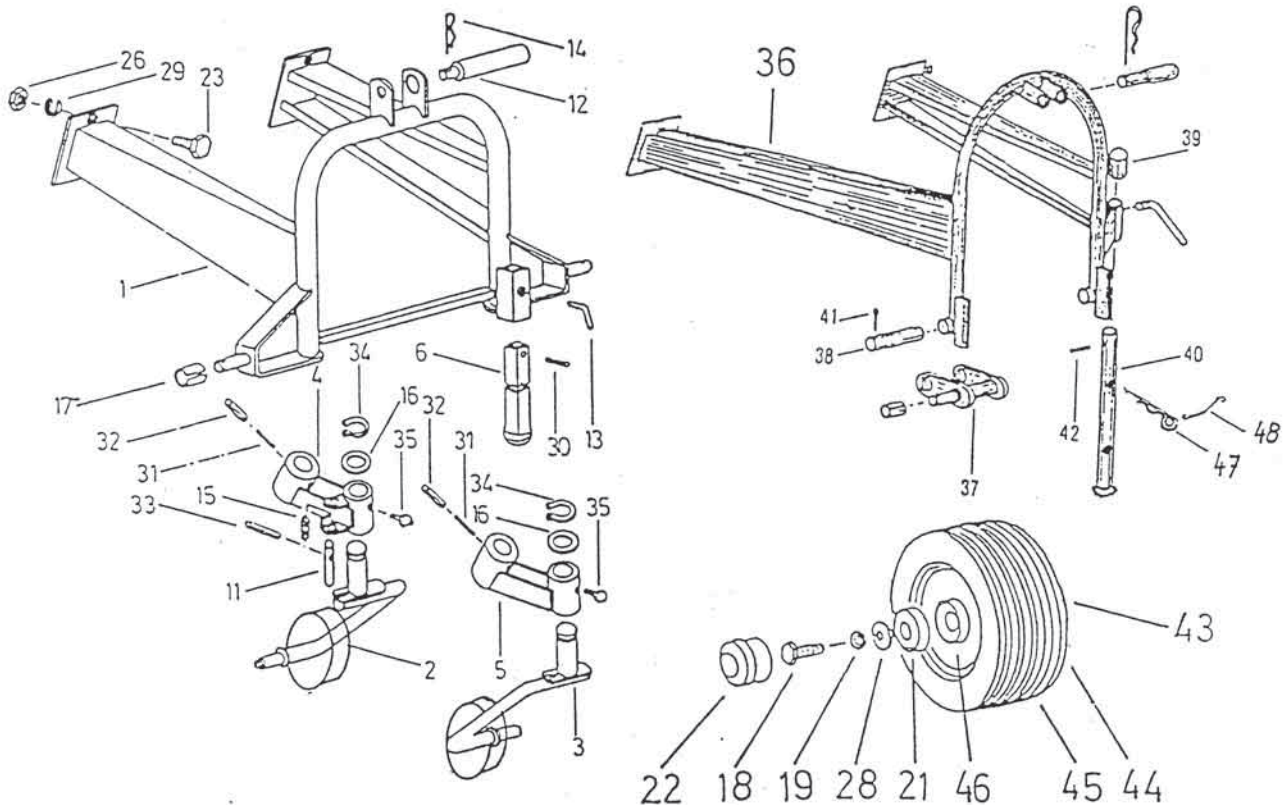
| No. on the figure<br>Numer<br>anzeichn. | Catalogue no.<br>Katalog nummer | Description           | Benennung                 | Quantity<br>Stück |
|---|---------------------------------|-----------------------|---------------------------|-------------------|
| 1                                       | 151941901-337.04.001.0          | Tube welded           | Rohr Schw.                | 2                 |
| 2                                       | 151797103-334.03.006.0          | Gear-box housing      | Getriebegehäuse           | 2                 |
| 3                                       | 152726009-345.03.005.0          | Fork                  | Gabel                     | 2                 |
| 4                                       | 151752106-150.08.006.0          | Distance washer       | Distanzscheibe kpl.       |                   |
| 5                                       | 154182609-337.04.010.0          | Shaft                 | Welle                     | 2                 |
| 6                                       | 151950801-337.02.013.0          | Gear                  | Zahnrad                   | 2                 |
| 8                                       | 151042204-325.04.008.0          | Axle                  | Achse                     | 2                 |
| 9                                       | 151042302-325.04.009.0          | Link                  | Verbindung                | 2                 |
| 10                                      | 151042400-325.04.010.0          | Bolt                  | Bolzen                    | 2                 |
| 11                                      | 151797602-334.03.010.0          | Ring                  | Ring                      | 2                 |
| 12                                      | 151012905-TN 01                 | Distance ring 3 cpl.  | Distanzring 3 kpl.        |                   |
| 13                                      | 151945300-337.11.000.0          | Protection tube left  | Schutz links Schw.        | 1                 |
| 14                                      | 151945701-337.12.000.0          | Protection tube right | Schutz rechts Schw.       | 1                 |
| 15                                      | 151797906-334.00.001            | Bolt welded           | Bolzen Schw.              | 4                 |
| 17                                      | 000243301                       | Bearing 6206 2Z       | Rillenkugellager 6206 2Z  |                   |
| 18                                      | 000244603                       | Bearing 6008 2Z       | Rillenkugellager 6008 2Z  | 2                 |
| 19                                      | 000236408                       | Circlip 68            | Sicherungsring 68         | 2                 |
| 20                                      | 000237407                       | Circlip 25            | Sicherungsring 25         | 2                 |
| 21                                      | 000230707                       | Cotter A8x7x45        | Passfeder A8x7x45         | 2                 |
| 22                                      | 000235301                       | Pin 10x55             | Spannhülse 10x55          | 2                 |
| 23                                      | 000233802                       | Pin 6x55              | Spannhülse 6x55           | 2                 |
| 24                                      | 000208402                       | Screw M8x15 8.8       | SK-Schraube M8x15 8.8     | 4                 |
| 25                                      | 000210300                       | Screw M10x25 8.8 Zn   | SK-Schraube M10x25 8.8 Zn | 8                 |
| 26                                      | 000211602                       | Screw M12x55 8.8      | SK-Schraube M12x25 8.8    | 16                |
| 27                                      | 000228104                       | Washer B8             | Federring B8              | 4                 |
| 28                                      | 000228408                       | Washer B10 Zn         | Federring B10 Zn          | 8                 |
| 29                                      | 000225401                       | Washer 12             | Scheibe 12                | 2                 |
| 30                                      | 000228505                       | Washer B12            | Federring B12             | 16                |
| 31                                      | 000251202                       | Nut M10 6 Zn          | SK-Mutter M10 6 Zn        | 8                 |
| 32                                      | 000238905                       | Cotter 4x25           | Splint 4x25               | 4                 |
| 33                                      | 000246905                       | Lubricator A M10x1    | Schmiernippel A M10x1     | 2                 |
| 34                                      | 150436102                       | Cover                 | Deckel                    | 4                 |

Bild 3 Fig. 3



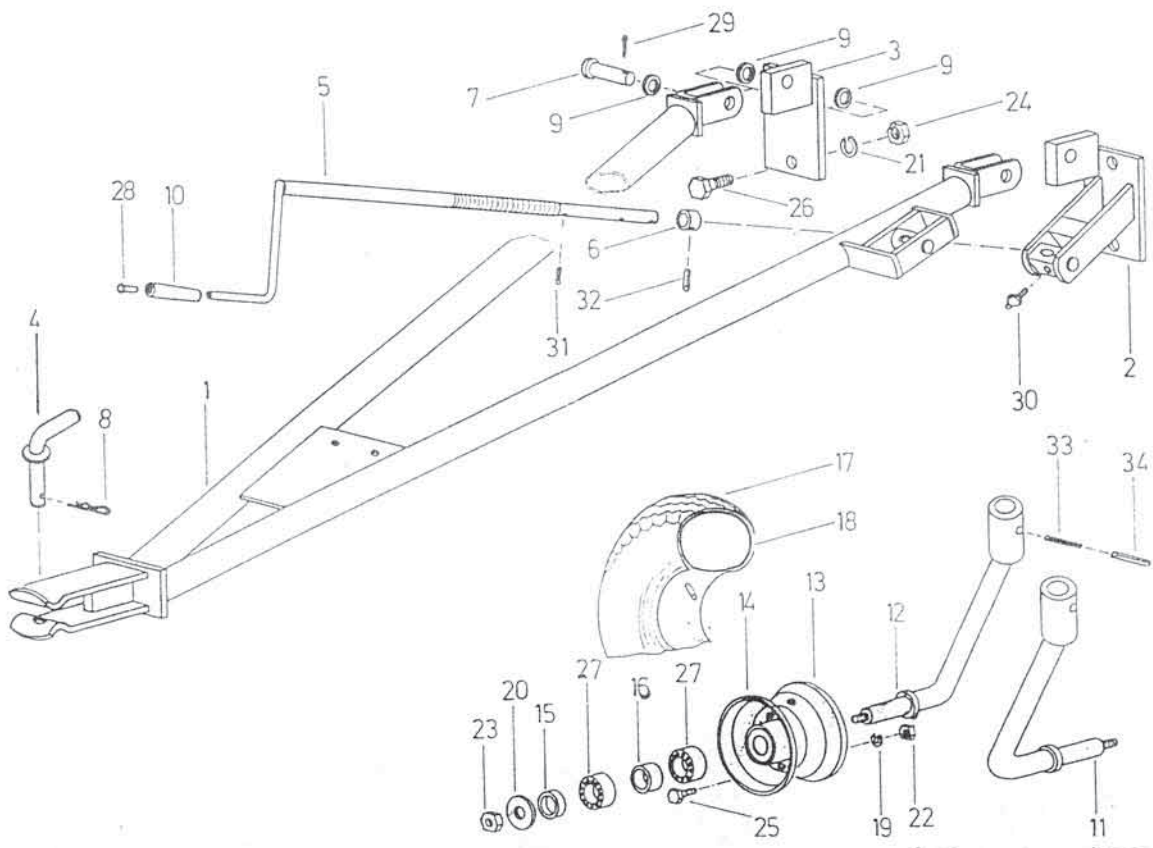
| No. on the figure<br>Numer<br>anzeichn. | Catalogue no.<br>Katalog nummer | Description                | Benennung                    | Quantity<br>Stück |
|---|---------------------------------|----------------------------|------------------------------|-------------------|
| 1                                       | 151942508-337.05.000.0          | Hitch welded               | Anhängenrahmen Schw.         | 1                 |
| 2                                       | 151943615-337.06.001.1          | Axle left                  | Achse links Schw.            | 2                 |
| 3                                       | 151944213-337.07.001.1          | Axle right                 | Achse rechts Schw.           | 2                 |
| 4                                       | 151944301-337.08.000.0          | Wheel Bracket 1            | Radkonsole 1                 | 2                 |
| 5                                       | 151945809-337.13.000.0          | Wheel Bracket 2            | Radkonsole 2                 | 2                 |
| 6                                       | 151944800-33709.000.0           | Leg                        | Stützfuss                    | 1                 |
| 11                                      | 151688506-330.05.026.0          | Pin                        | Hülse                        | 2                 |
| 12                                      | 151047806-220.00.001.0          | Bolt                       | Bolzen                       | 1                 |
| 13                                      | 151048306-200.14.014.5          | Screw with handle          | Schraube                     | 1                 |
| 14                                      | 151048501-455.02.094.0          | Wire safety clamp          | Drahtsicherung               | 1                 |
| 15                                      | 151381105-455.02.095.1          | Spring                     | Druckfeder                   | 2                 |
| 16                                      | 153082309                       | Washer                     | Scheibe                      | 4                 |
| 17                                      | 151029407-200.07.005.5          | Sleeve                     | Büchse elast.                | 2                 |
| 18                                      | 150087202                       | Screw M12x25               | SK Schraube M12x25           | 4                 |
| 19                                      | 000228603                       | Washer B12                 | Scheibe B12                  | 4                 |
| 20                                      | 152378901-337.00.018.0          | Handle                     | Griff                        | 1                 |
| 21                                      | 000255208                       | Bearing 6205 2Z            | Rillenkugellager 6205 2Z     | 8                 |
| 22                                      | 155472507                       | Cover                      | Deckel                       | 4                 |
| 23                                      | 000214306                       | Screw M16x40 8.8           | SK-Schraube M16x40 8.8       | 4                 |
| 26                                      | 000222100                       | Nut M16                    | Mutter M16                   | 4                 |
| 28                                      | 151006002                       | Washer                     | Scheibe                      | 4                 |
| 29                                      | 000228701                       | Washer B16                 | Federring B16                | 4                 |
| 30                                      | 000232206                       | Pin 4x32                   | Spannhülse 4x32              | 1                 |
| 31                                      | 000233704                       | Pin 6x50                   | Spannhülse 6x50              | 4                 |
| 32                                      | 000235203                       | Pin 10x50                  | Spannhülse 10x50             | 4                 |
| 33                                      | 150060908                       | Pin 10x70                  | Spannhülse 10x70             | 2                 |
| 34                                      | 000237504                       | Circlip 30                 | Sicherungsring 30            | 4                 |
| 35                                      | 000246601                       | Lubricator A M8x1          | Schmiernippel A M8x1         | 4                 |
| 36                                      | 152372202-337.16.000.0          | Hitch welded               | Authanhung Schw.             | 1                 |
| 36                                      | 153686700-337.18.000.0          | Hitch welded               | Authanhung Schw.             | 1                 |
| 37                                      | 151576609-327.03.028.0          | Pivoting hitch             | Anhangewippe kpl.            | 2                 |
| 38                                      | 151576805-327.03.030.0          | Bolt                       | Bolzen für Anhangewippe      | 2                 |
| 39                                      | 151007922-510.02.054.0          | Cover                      | Deckel                       | 1                 |
| 40                                      | 154047105-389.00.009.0          | Support leg                | Stützfuss                    | 1                 |
| 41                                      | 000239904                       | Sprocket 5x22              | Splint 5x32                  | 4                 |
| 42                                      | 000232803                       | Pin 5x40                   | Spannhülse 5x40              | 1                 |
| 43                                      | 150405207                       | Wheel cpl. 15x6.00-6 4 PLY | Lauftrad kpl 15x6.00-6 4 PLY | 4                 |
| 44                                      | 150257700                       | Tyre 15x6.00-6 4 PR        | Reifen 15x6.00- 4 PR         | 4                 |
| 45                                      | 150257108                       | Pneumatic 15x6             | Schlauch 15x6                | 4                 |
| 46                                      | 150405305                       | Rim 4.50 A x 6             | Felge 4.50 A x 6             | 4                 |
| 47                                      | 152903807-516.02.015.0          | Safety fuse                | Sicherungsstift              | 1                 |
| 48                                      | 153245714-342.00.015.1          | Chain                      | Kette                        | 1                 |

Bild 4 Fig.4



| No.on the figure<br>Numer<br>anzeichn. | Catalogue no.<br>Katalog nummer | Description                | Benennung                             | Quantity<br>Stück |
|--|---------------------------------|----------------------------|---------------------------------------|-------------------|
| 1                                      | 151946602-339.05.001.0          | Pull-Type hitch            | Anschluss Schw.                       | 1                 |
| 2                                      | 151947709-339.05.014.0          | Hitch plate left           | Anschlussplatte links                 | 1                 |
| 3                                      | 151948209-339.05.021.0          | Hitch plate right          | Anschlussplatte rechts                | 1                 |
| 4                                      | 151948307-339.05.023.0          | Bolt welded                | Bolzen Schw.                          | 1                 |
| 5                                      | 151948502-339.05.026.0          | Spandle welded             | Spindel Schw.Büchse                   | 1                 |
| 6                                      | 151948806-33905.031.0           | Sleeve                     | Büchse                                | 2                 |
| 7                                      | 151027105-510.05.054.0          | Bolt                       | Bolzen                                | 2                 |
| 8                                      | 151048501-455.02.094.0          | Wire safety clamp          | Drahtsicherung                        | 1                 |
| 9                                      | 151233702-TN 01                 | Washer                     | Scheibe                               | 6                 |
| 10                                     | 151068604-11.23.048.5           | Handle                     | Kanne                                 | 1                 |
| 11                                     | 151949002-339.06.001.0          | Axle left welded           | Achse links Schw.                     | 2                 |
| 12                                     | 151949306-339.07.001.0          | Axle right welded          | Achse rechts Schw.                    | 2                 |
| 13                                     | 151044809-325.06.005.0          | Rim with hole              | Felge mit Ventilöffnung               | 4                 |
| 14                                     | 151044907-325.06.006.0          | Rim                        | Felge                                 | 4                 |
| 15                                     | 151045005-TN 01                 | Sleeve                     | Büchse                                | 4                 |
| 16                                     | 151045103-592.05.002.0          | Sleeve                     | Büchse                                | 4                 |
| 17                                     | 150156609                       | Tyre 3,50-6                | Riften 3,50-6                         | 4                 |
| 18                                     | 150156707                       | Pneumatic 3,50-6           | Luftschlauch 3,50-6 mit kurzem Ventil | 4                 |
| 19                                     | 000228202                       | Washer B8 Zn               | Federring B8                          | 16                |
| 20                                     | 150100606                       | Washer 14 tip 1 Zn         | Scheibe R 14 St. tip 1 Zn             | 4                 |
| 21                                     | 000228701                       | Washer B16                 | Federring B16                         | 4                 |
| 22                                     | 000220709                       | Nut M8 5 Zn                | SK-Mutter M8 5 Zn                     | 16                |
| 23                                     | 000250604                       | Nut M12 5 Cd               | SK-Mutter M12 5 Cd                    | 4                 |
| 24                                     | 000222100                       | Nut M16 8                  | SK-Mutter M16 8                       | 4                 |
| 25                                     | 150040208                       | Screw M8x15                | SK-Schraube M8x15 5.6                 | 16                |
| 26                                     | 000214306                       | Screw M16x40               | SK-Schraube M16x40 8.8                | 4                 |
| 27                                     | 000255208                       | Bearing 6205 2 Z           | Rillenkugellager 6205 2 Z             | 8                 |
| 28                                     | 000241802                       | Rivet 6x20                 | Niet 6x20                             | 1                 |
| 29                                     | 000239904                       | Cotter 5x32                | Splint 5x32                           | 2                 |
| 30                                     | 000246601                       | Lubricator A M8x1          | Schmiernippel A M8x1                  | 1                 |
| 31                                     | 000232402                       | Pin 5x24                   | Spannhülse 5x24                       | 1                 |
| 32                                     | 000233303                       | Pin 5x32                   | Spannhülse 6x32                       | 2                 |
| 33                                     | 000233704                       | Pin 6x50                   | Spannhülse 6x50                       | 4                 |
| 34                                     | 000235203                       | Pin 10x50                  | Spannhülse 10x50                      | 4                 |
| 35                                     | 150294602                       | Wheel cpl. 15x6.00-6 4 PLY | Laufrad kpl 15x6.00-6 4 PLY           | 4                 |
| 36                                     | 150257000                       | Tyre 15x6.00-6 4PR         | Reifen 15x6.00-6 5 PR                 | 4                 |
| 37                                     | 150257108                       | Pneumatic 15x6             | Schlauch 15x6                         | 4                 |
| 38                                     | 150260309                       | Rim 4.00x6 kpl.            | Felge 4.00x6 kpl.                     | 4                 |

Bild 5 Fig.5



| No.on the figure<br>Numer<br>anzeichn. | Catalogue no.<br>Katalog nummer | Description                | Benennung                     | Quantity<br>Stück |
|--|---------------------------------|----------------------------|-------------------------------|-------------------|
| 1                                      | 151946602-339.05.001.0          | Pull-Type hitch            | Anschluss Schw.               | 1                 |
| 2                                      | 151947709-339.05.014.0          | Hitch plate l.             | Anschlussplatte links         | 1                 |
| 3                                      | 151948209-339.05.021.0-         | Hitch plate r.             | Anschlussplatte rechts        | 1                 |
| 4                                      | 151948307-339.05.023.0          | Bolt welded                | Bolzen Schw.                  | 1                 |
| 5                                      | 151948502-339.05.026.0          | Spindle                    | Spindel Schw.                 | 1                 |
| 6                                      | 151948806-339.05.031.0          | Sleeve                     | Büchse                        | 2                 |
| 7                                      | 151027105-510.05.054.0          | Bolt                       | Bolzen                        | 2                 |
| 8                                      | 151048501-455.02.094.0          | Wire safety clamp          | Drahtsicherung                | 1                 |
| 9                                      | 151233702-TN 01                 | Washer                     | Scheibe                       | 6                 |
| 10                                     | 151068604-11.23.048.5           | Handle                     | Kanne                         | 1                 |
| 11                                     | 151943615-337.06.001.1          | Axle left welded           | Achse links Schw.             | 2                 |
| 12                                     | 151944213-337.07.001.1          | Axle right welded          | Achse rechts Schw.            | 2                 |
| 13                                     | 151944301-337.08.000.0          | Wheel bracket 1            | Radkonsole 1                  | 2                 |
| 14                                     | 151945809-337.13.000.0          | Wheel bracket 2            | Radkonsole 2                  | 2                 |
| 17                                     | 155472507                       | Cover                      | Deckel                        | 4                 |
| 18                                     | 150087202                       | Screw M12x25               | SK-Schraube M12x25            | 4                 |
| 19                                     | 151688506-330.05.026.0          | Pin                        | Hülse                         | 2                 |
| 20                                     | 151381105-455.02.095.1          | Spring                     | Druckfeder                    | 2                 |
| 21                                     | 153082309                       | Washer                     | Scheibe                       | 4                 |
| 22                                     | 151029407-200.07.005.5          | Sleeve                     | Büchse elast.                 | 2                 |
| 23                                     | 000228603                       | Washer B12                 | Federring B12                 | 4                 |
| 24                                     | 151006002                       | Washer                     | Scheibe                       | 4                 |
| 25                                     | 152378901-337.00.018.0          | Handle                     | Griff                         | 2                 |
| 26                                     | 000255208                       | Bearing                    | Rillenkugellager 6205 2 Z.    | 8                 |
| 30                                     | 000222100                       | Nut M16                    | SK-Mutter M16                 | 4                 |
| 33                                     | 000228701                       | Washer B16                 | Federring B16                 | 4                 |
| 34                                     | 000233704                       | Pin 6x50                   | Spannhülse 6x50               | 4                 |
| 35                                     | 000235203                       | Pin 10x50                  | Spannhülse 10x50              | 4                 |
| 36                                     | 150060908                       | Pin 10x70                  | Spannhülse 10x70              | 2                 |
| 37                                     | 000214306                       | Screw M16x40 8.8           | SK-Schraube M16x40 8.8        | 4                 |
| 38                                     | 000237504                       | Circlip 30                 | Sicherungsring 30             | 4                 |
| 39                                     | 000246601                       | Lubricator A M8x1          | Schmiernippel A M8x1          | 6                 |
| 40                                     | 150405207                       | Wheel epl. 15x6.00-6 4 PLY | Lauftrad kpl. 15x6.00-6 4 ply | 4                 |
| 41                                     | 150257700                       | Tyre 15x6.00-6 4 PLY       | Reifen 15x6.00-6 4 PR         | 4                 |
| 42                                     | 150257108                       | Pneumatic 15x6             | Schlauch 15x6                 | 4                 |
| 43                                     | 150405305                       | Rim 4,50 A x 6             | Felge 4,50 A x 6              | 4                 |

Bild 6 Fig.6

